

Instruction Manual

Raptor Drum Loader/Unloader



Note: The Owner/Operator must read carefully and understand all the information presented here before operation.

Content

1	Figure and Dimension.....	2
1.1	Figure.....	2
1.2	Technical Specification.....	3
2	Part Name.....	3
3	Warning.....	3
4	Operation.....	4
4.1	Lift drum.....	4
4.2	Transport drum.....	4
4.3	Put down drum.....	4
5	Hydraulic Circuit Diagram.....	5
6	Exploded View & Part List.....	6

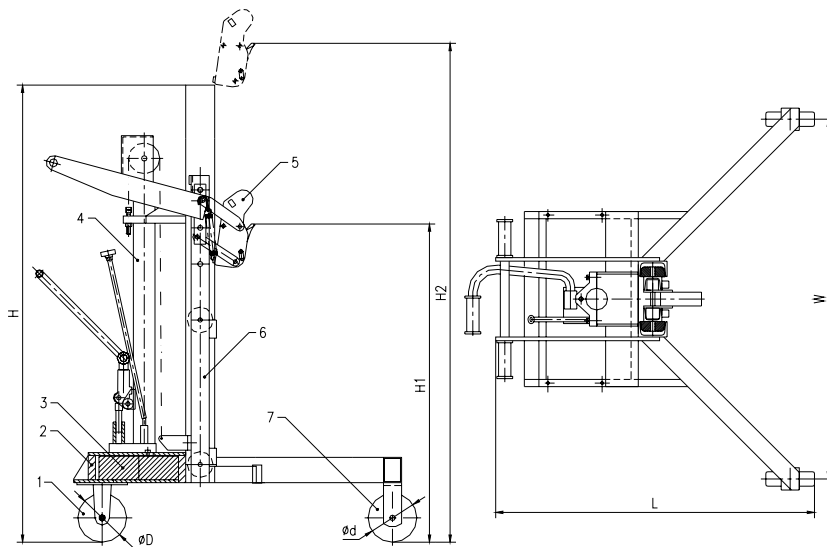
THANK YOU FOR USING THIS RAPTOR DRUM LOADER/
UNLOADER. FOR YOUR SAFETY AND CORRECT OPERATION,
PLEASE CAREFULLY READ THIS INSTRUCTION BEFORE USING IT.

NOTE: All of the information reported herein is based on data available
at the moment of printing. The factory reserves the right to modify its
own products at any moment without notice and incurring in any
sanction. So it is suggested to always verify possible updates.

This drum loader is used to clamp the drum on the ground or stock
for load and unload, transit, stack the drum. It is used widely to factory,
depot and etc.

1. FIGURE AND PARAMETER

1.1 Figure



1.2 Technical Parameter

Model	DTF450	
Lifting Capacity	450 kg	
Lifting Height	500 mm	
Front wheel Dia.	125 mm	
Rear wheel Dia.	125 mm	
Length	L	900 mm
Height	H	1250 mm
	H1	880 mm
	H2	1380 mm
Weight	W	1020 mm
Lifting per stroke	11.6 mm	
Drum size	572mm(22.5" Diameter), 210 Liters(55 gallon)	
Net weight	165 kg	

2. PART NAME

- (1) Rear Wheel (Versatile Wheel)
- (2) Base Track Assy.
- (3) Block
- (4) Cylinder Assy.
- (5) Support & Clamp Machine
- (6) Supporting frame Assy.
- (7) Front Wheel (Versatile Wheel)

3. WARNING

- 3.1 Never overload this truck beyond its rated capacity.
- 3.2 Place the drum on the low position when do not lift.
- 3.3 Raise slightly the drum on the ground when transit drum, do not need lift it higher.

4. OPERATION

4.1 Lift drum

Move the drum handler to drum's front for closing the forepart of support & clamp machine (5) with drum, then step on the brake of rear wheel (1). The upper hook of support & clamp machine (5) rotate down to clamp the drum after stepping on pedal lever, and go on stepping, the drum will be raised.

4.2 Transport drum

Release the brake after raising the drum, and push the handle of base track frame assy. (2), then can move the drum.

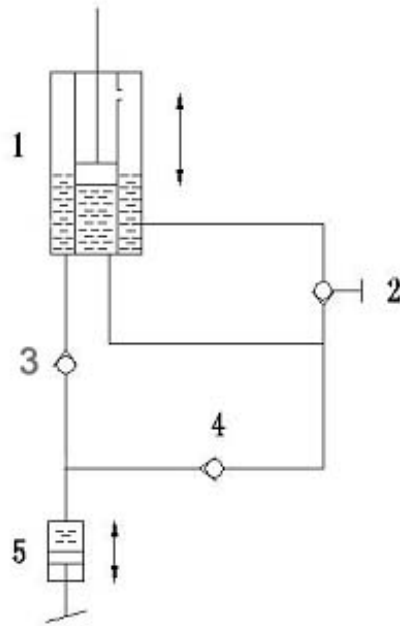
Notice: For the sake of safety it is recommended to move the drum while the drum's position is as low as possible.

4.3 Put down drum

After moving the drum to the destination, slowly release the degressive valve lever until drum stand on the ground, the upper hook of support & clamp machine (5) will release the drum, then screw the degressive valve lever.

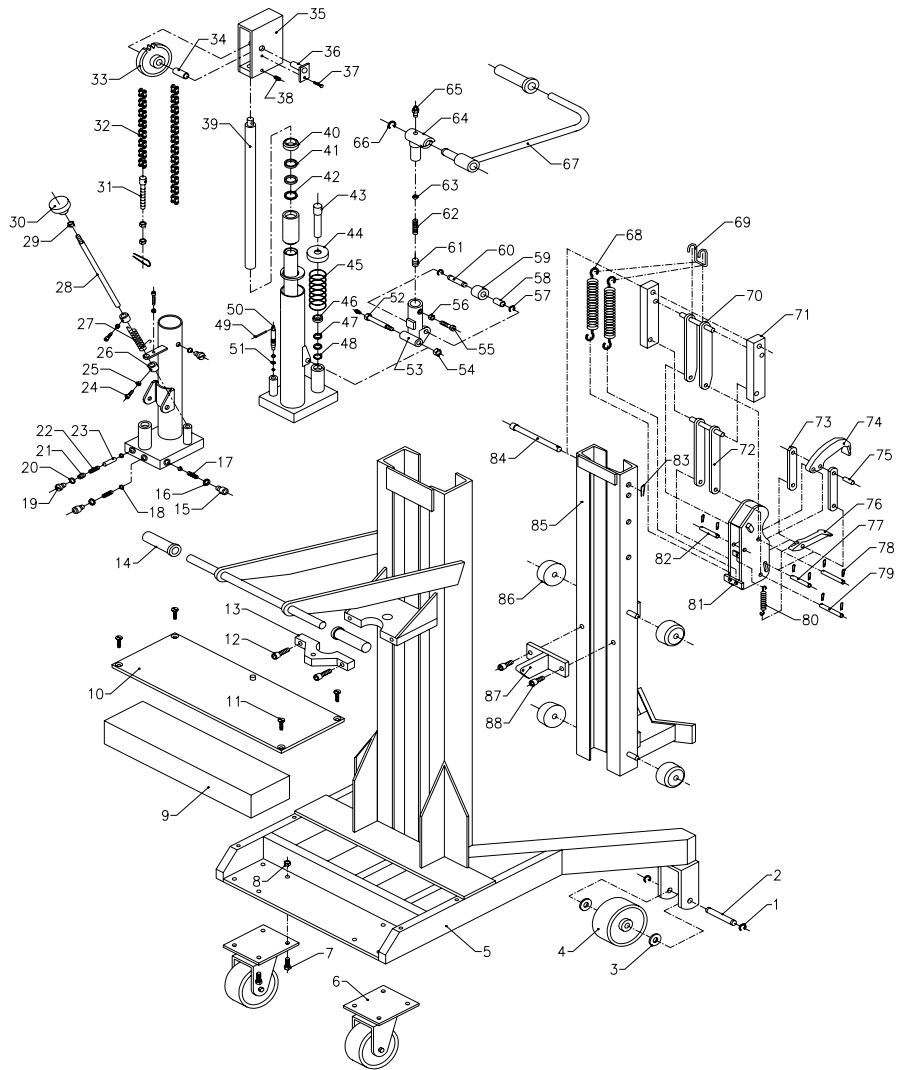
Notice: For the sake of safety it is recommended to release the degressive as slow as possible while put down the drum.

5. HYDRAULIC CIRCUIT DIAGRAM



No.	Description
1	Hydraulic Cylinder
2	Swivel Discharge Valve
3	Relief valve
4	Work valve
5	Work Cylinder

6. EXPLODED VIEW & PART LIST



No.	Description	Qty	No.	Description	Qty
1	Split ring	4	45	Pump ring	1
2	Pin axle	2	46	Dustproof ring	1
3	Washer	4	47	O-ring	2
4	Front wheel	2	48	Nylon washer	1
5	Base track assy.	1	49	Spring pin	1
6	Rear wheel (versatile wheel)	2	50	Valve core	1
7	Connecting bolt	8	51	O-ring	2
8	Hex nut	8	52	Pin axle	1
9	Block	2	53	Seat	1
10	Cover board	1	54	Nut	1
11	Screw	4	55	Hex bolt	1
12	Screw	2	56	Hex nut	1
13	Cover	1	57	Split ring	2
14	Rubber sheath	3	58	Bearing	1
15	Inside hex screw	2	59	Ring	1
16	Copper washer	2	60	Pin axle	1
17	Taper spring	2	61	Adjusting screw	1
18	Steel ball	4	62	Spring	1
19	Screw plunger	2	63	Steel ball	1
20	O-ring	2	64	Sheath	1
21	Locking screw	1	65	Oil cup	2
22	Spring	1	66	Split ring	1
23	Short pin	1	67	Lever	1
24	Inside hex screw	2	68	Pulling spring	2
25	Hex nut	2	69	Hook	1

No.	Description	Qty	No.	Description	Qty
26	Locating ring	2	70	Connecting rack	1
27	Torsional spring	1	71	Connecting block	2
28	Unitary valve rod	1	72	Connecting rack	1
29	Hex nut	1	73	Connecting board	2
30	Handle	1	74	Upper hook	1
31	Chain bolt	1	75	Pin axle	1
32	Roller chain	1	76	Lower hook	1
33	Chain wheel	1	77	Pin axle	1
34	Bearing	1	78	Split pin	8
35	Chain cover	1	79	Pin axle	2
36	Chain pin axle	1	80	Pulling spring	1
37	Hex bolt	1	81	Shell body	1
38	Locking bolt	1	82	Pin axle	1
39	Plunger rod	1	83	Split Pin	1
40	Dustproof ring	1	84	Pin axle	1
41	O-ring	2	85	Supporting frame assy.	1
42	Nylon washer	1	86	Roller wheel	4
43	Pump rod	1	87	Chain locking board	1
44	Pump cover	1	88	Screw	2